

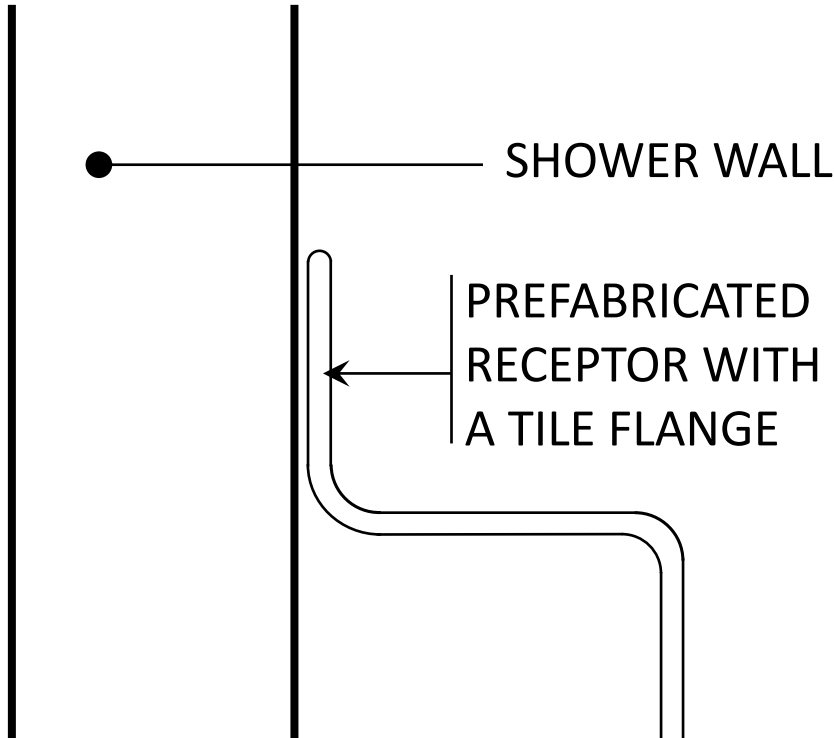
FlangeBand[®]

**Compliance with TCNA
Handbook Recommendations**

© Sealux 2021-09

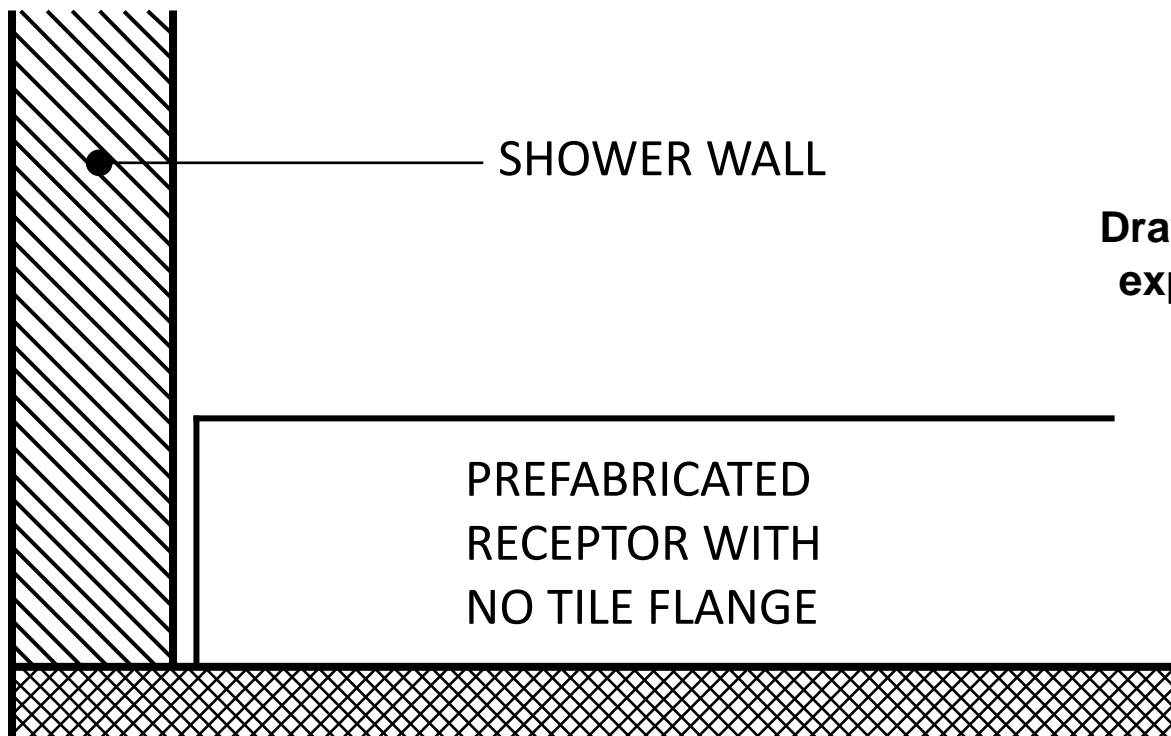
Waterproofing 'Shower Receptor/Shower Wall' Joints

Prefabricated shower base and bathtub receptors are manufactured with and without integrated tile flanges. Consequentially, when installing a shower receptor against a shower wall, a receptor with an integrated tile flange will require a different joint waterproofing solution to that required for a flange-free receptor.



**Drawing detail A
expanded upon
in Pages 2-4**

Detail A: Prefabricated shower bases and bathtubs with an integrated tile flange



**Drawing detail B
expanded upon
in Pages 5-7**

Detail B: Prefabricated shower bases and bathtubs with no integrated tile flange

Tile Industry Standards and Codes of Practice 2019

Prefabricated shower bases and bathtubs with an integrated tile flange

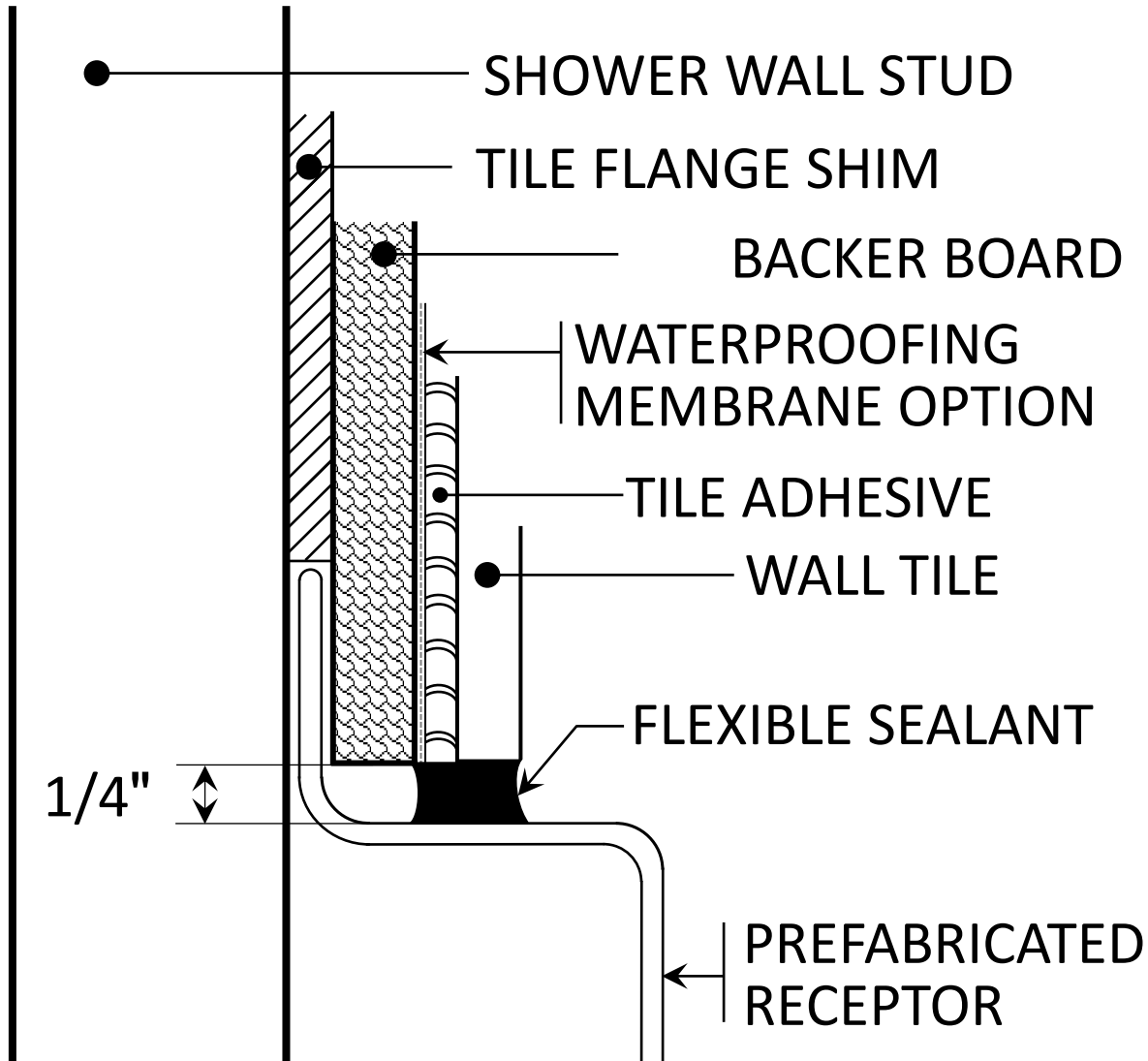


Fig. 1

FlangeBand's compliance with TCNA Handbook guidelines is explained through highlighting those TCNA recommendations most relevant to sealing perimeter movement joints between a prefabricated shower base or bathtub and the adjacent shower wall(s).

The TCNA Handbook chapter 'Ceramic and Glass Tile Installation Methods' promotes a series of technical drawings under the heading 'Bathtub/Shower Walls', each detailing a waterproof connection between a prefabricated receptor **with an integrated tile flange** and the adjacent shower wall, key features of which are detailed in figure 1 above.

In support, the TCNA Handbook also recommend compliance with the following material, design and installation standards where relevant and permissible under local codes.

- a) If installing a waterproof membrane material, it should conform with ANSI A118.10
- b) Use a sealant material that conforms with ASTM C920
- c) If installing a waterproofing membrane, install membrane to meet ANSI A108.13
- d) Install movement joint as specified in ASTM C1193
- e) Install movement joint in accordance with TCNA EJ171

FlangeBand® Compliance with Codes of Practice

Prefabricated shower bases and bathtubs with an integrated tile flange

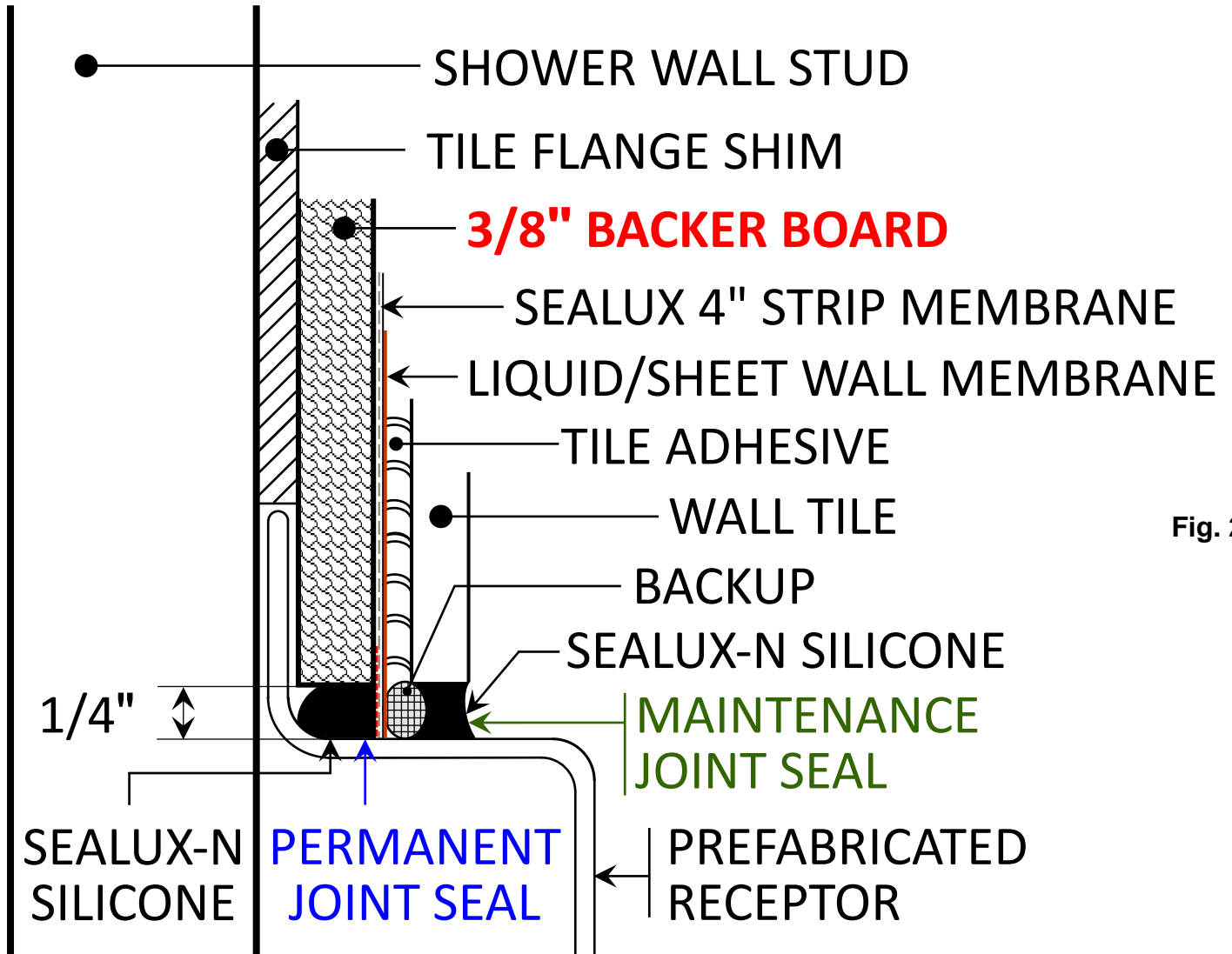


Fig. 2

----- The (red) broken line represents a longitudinal red tinged portion of strip that is etched and siliconized to provide tenacious permanent adhesion with Sealux-N silicone.



Fig. 2a

FlangeBand® Compliance with Codes of Practice

Prefabricated shower bases and bathtubs with an integrated tile flange

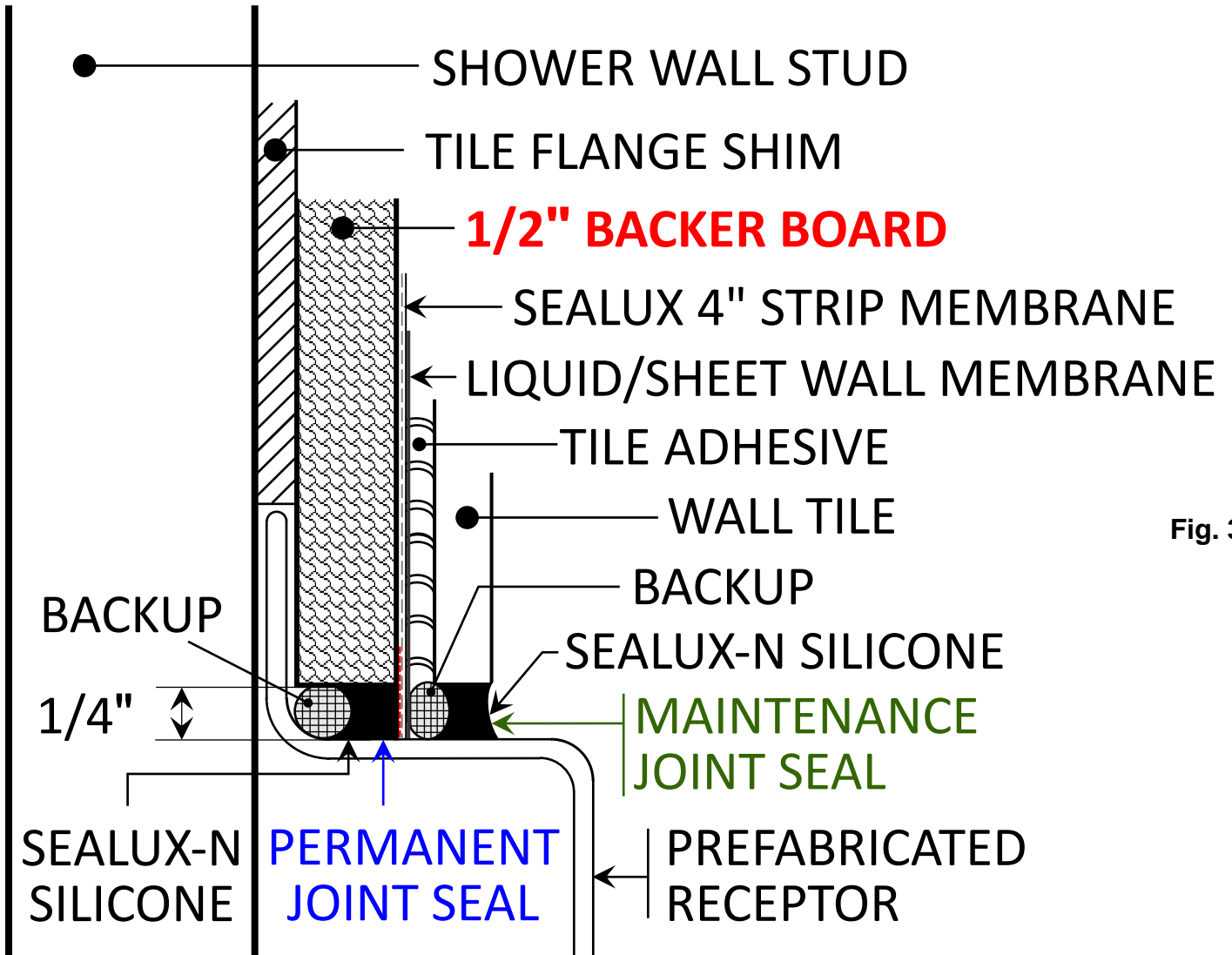


Fig. 3

----- The (red) broken line represents a longitudinal red tinged portion of strip that is etched and siliconized to provide tenacious permanent adhesion with Sealux-N silicone.

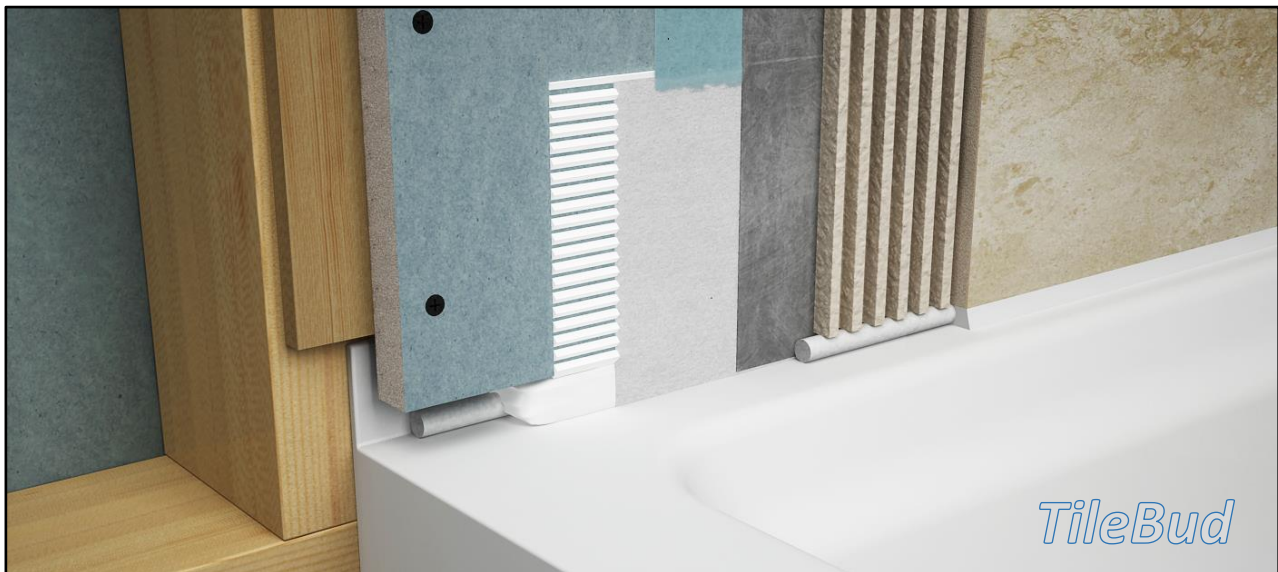


Fig. 3a

Tile Industry Standards and Codes of Practise 2019

Prefabricated shower bases and bathtubs with no integrated tile flange

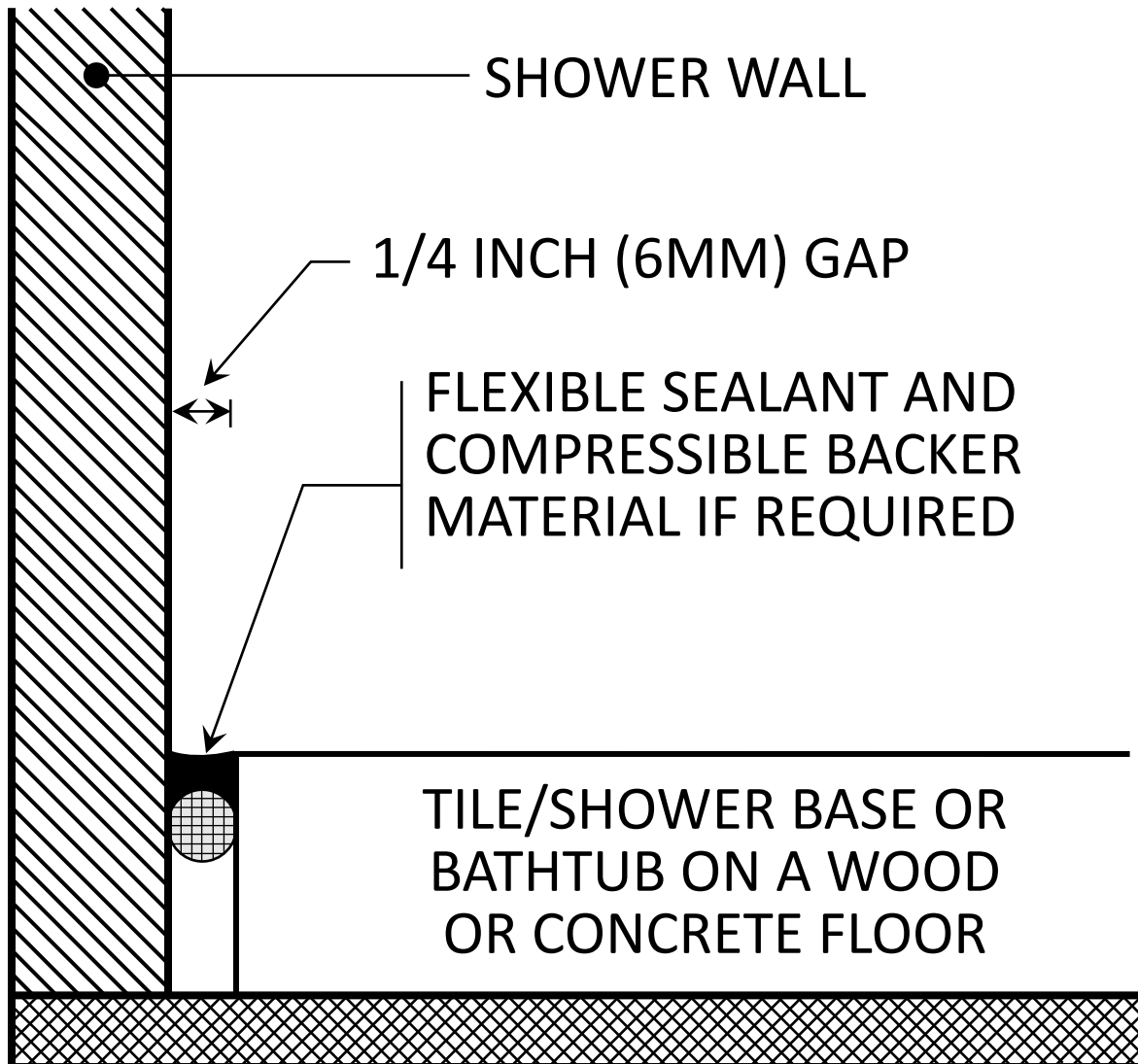


Fig. 4

Prefabricated bathtub and shower receptors are manufactured with and without tile flanges. TCNA guidance on the installation of perimeter movement joints can be found in the 'Movement Joints' section of the TCNA handbook.

Though not explicitly detailed in figure EJ171I-19, the technical principal of combining a compressible foam backer material with flexible sealant to seal perimeter movement joints between vertical substrates (walls) and horizontal substrates (floor tiles) as shown in figure EJ171I-19, we believe is also appropriate in respect of *flange-free* receptor/wall joints.

Figure 4 should be viewed in light of guidelines a-e on page 1 where appropriate. The following EJ171 recommendations are more specific to perimeter movement joints as detail in figure 4.

- f) Joint width at perimeter walls should not be less than 1/4" (6mm)
- g) Preferred joint depth is not less than 1/4" (6mm) and not greater than 3/8" (9.5mm)
- h) Sealant backing strip should be a flexible and compressible close-cell PE foam, ...
- i) Suitable sealants include single-component silicone with fungicide

FlangeBand® Compliance with Codes of Practice

Prefabricated shower bases and bathtubs with no integrated tile flange

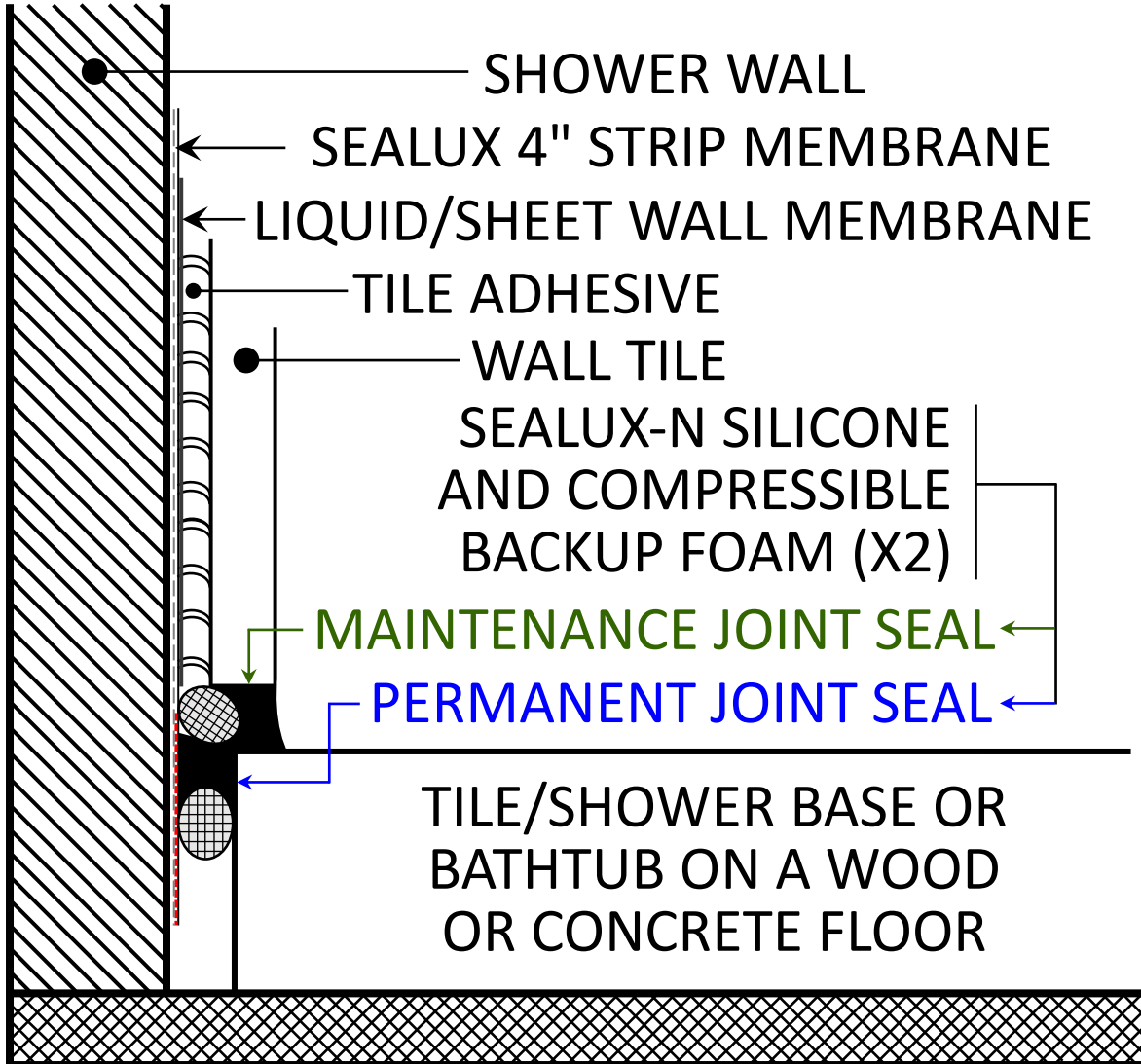


Fig. 5

----- The (red) broken line represents a longitudinal red tinged portion of strip that is etched and siliconized to provide tenacious permanent adhesion with Sealux-N silicone.



Fig. 5a

FlangeBand® Compliance with Codes of Practice

Prefabricated shower bases and bathtubs with no integrated tile flange

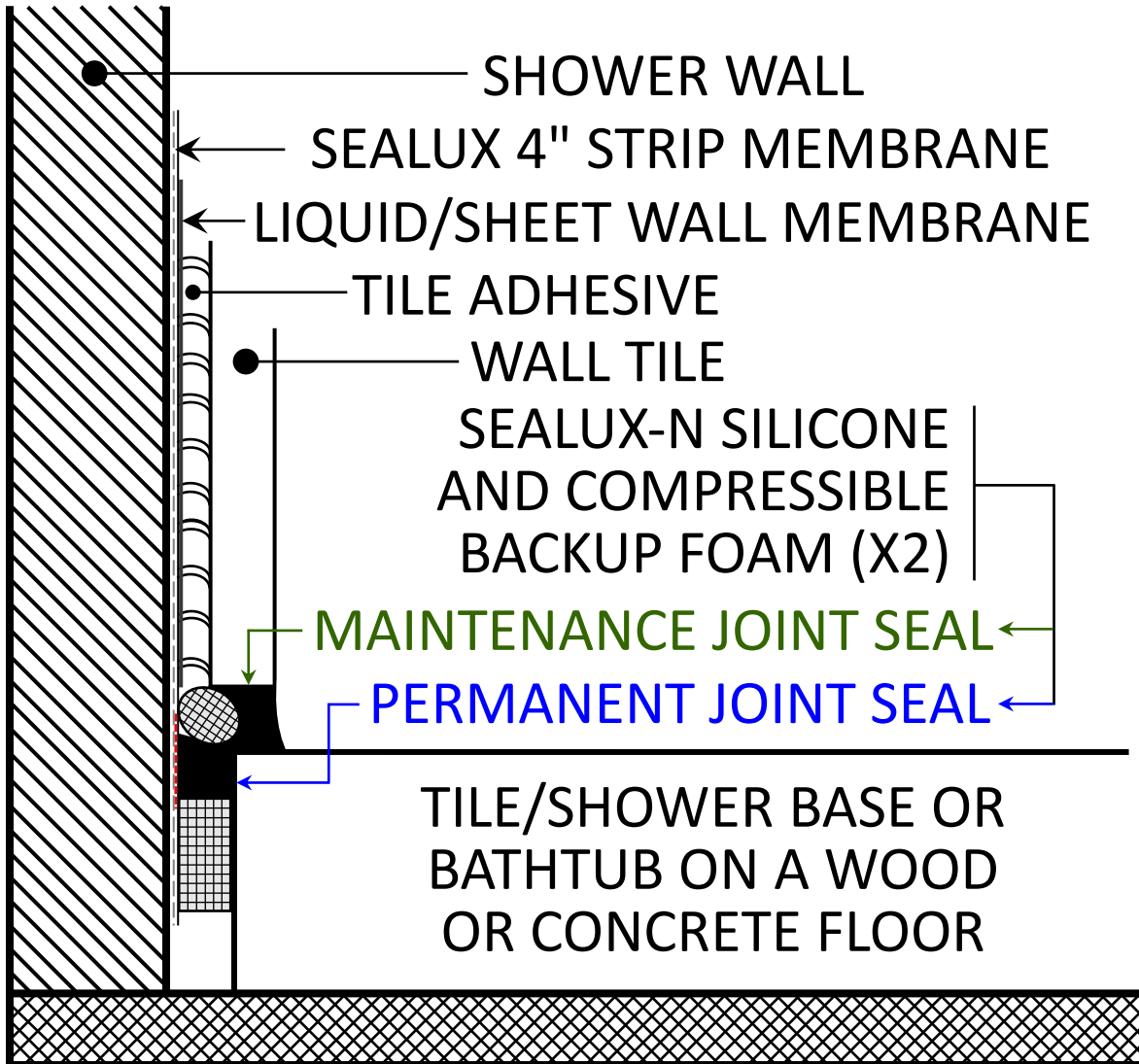


Fig. 6

----- The (red) broken line represents a longitudinal red tinged portion of strip that is etched and siliconized to provide tenacious permanent adhesion with Sealux-N silicone.



Fig. 6a

FlangeBand® & TCNA Recommendations

Material: TCNA Recommendations

- a) If installing a waterproof membrane, the material should conform to ANSI A118.10.

The 4" Sealux membrane material conforms to ANSI A118.10 (Test Report).

- b) Use a sealant material that conforms to ASTM C920.

The Sealux-N silicone material conforms to ASTM C920.

Installation: TCNA Recommendations

- c) If installing a waterproof membrane, install membrane according to ANSI A108.13.

Installation of the 4" Sealux membrane material conforms to ANSI A108.13.

- d) Install movement joint as specified in ASTM C1193.

Installation of the FlangeBand Sealing System conforms to ASTM C1193.

- e) Install movement joint in accordance with TCNA EJ171.

The FlangeBand Sealing System meets TCNA EJ171 recommendations.

© Sealux Limited • 26 Upper Churchtown Road • Churchtown • Dublin D14CC99 • Ireland

Sealux® and FlangeBand® are registered trademarks.

Tel: +353 (0)1 2989 121 Email: info@sealux.com Website: www.sealux.com